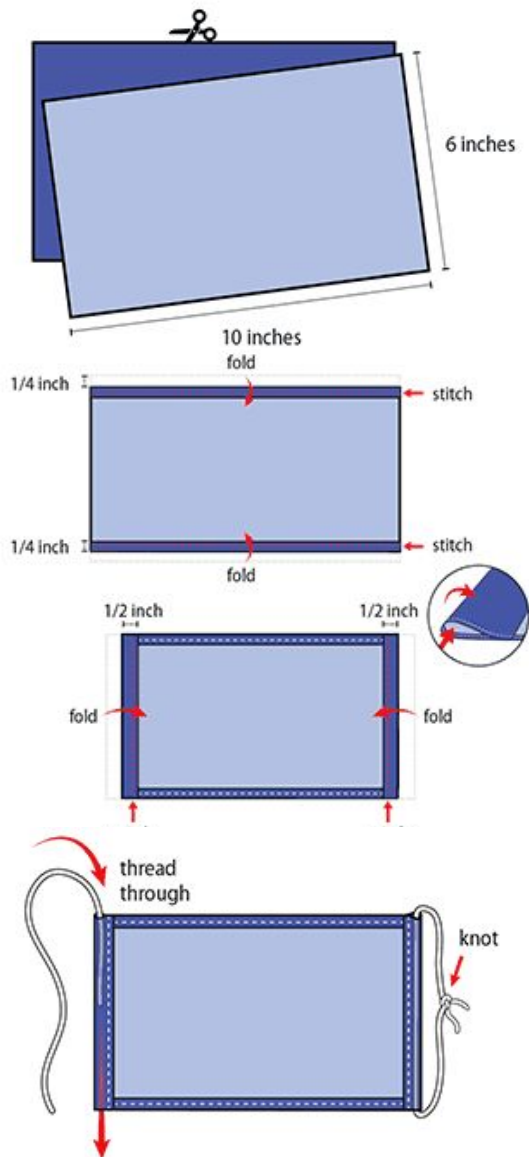
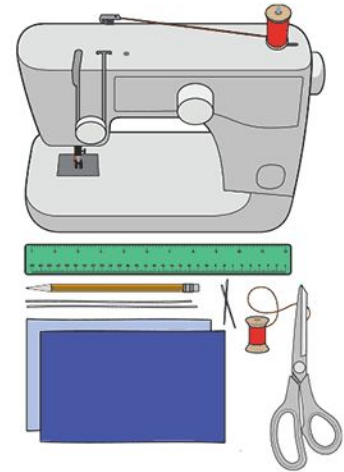


## Thank you for joining the Santa Barbara Bucket Brigade Most Mask Maker Challenge!

This kit contains material and elastic for 20 masks. If you're new to this, don't stress! Just do your best and know that we really appreciate your help with this community assistance project. Have fun with it!

### Materials & Tools — Here's what you need ----->

- Two 6- by 10-inch rectangles of preshrunk 100% cotton fabric.
- Two 10-inch lengths of ¼-inch elastic.
- Needle and thread (or bobby pin).
- Scissors.
- Sewing machine.
- Iron.



### REVISED Instructions-Please read this first:

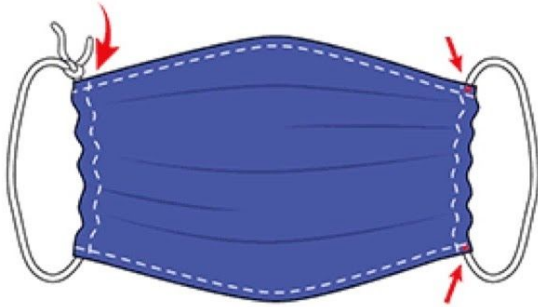
#### 1. WASH & DRY FABRIC

2. Cut and iron two 6- by 10-inch rectangles of cotton fabric. Use tightly woven 100% cotton, such as quilting fabric or cotton sheets. Stack the two rectangles; you will sew the mask as if it was a single piece of fabric.

3. Fold over the long sides ¼-inch and hem and stitch down. Then fold the double layer of fabric over ½-inch along the short sides and stitch down.

4. Run a 10-inch length elastic through the wider hem on each side of the mask. These will be the ear loops. Use a large needle or bobby pin to thread it through. Tie a knot or sew the ends tight — either way, make sure the ear loops are as long as possible. **DO NOT SEW THE ELASTIC TO THE CLOTH.**

tuck in knot

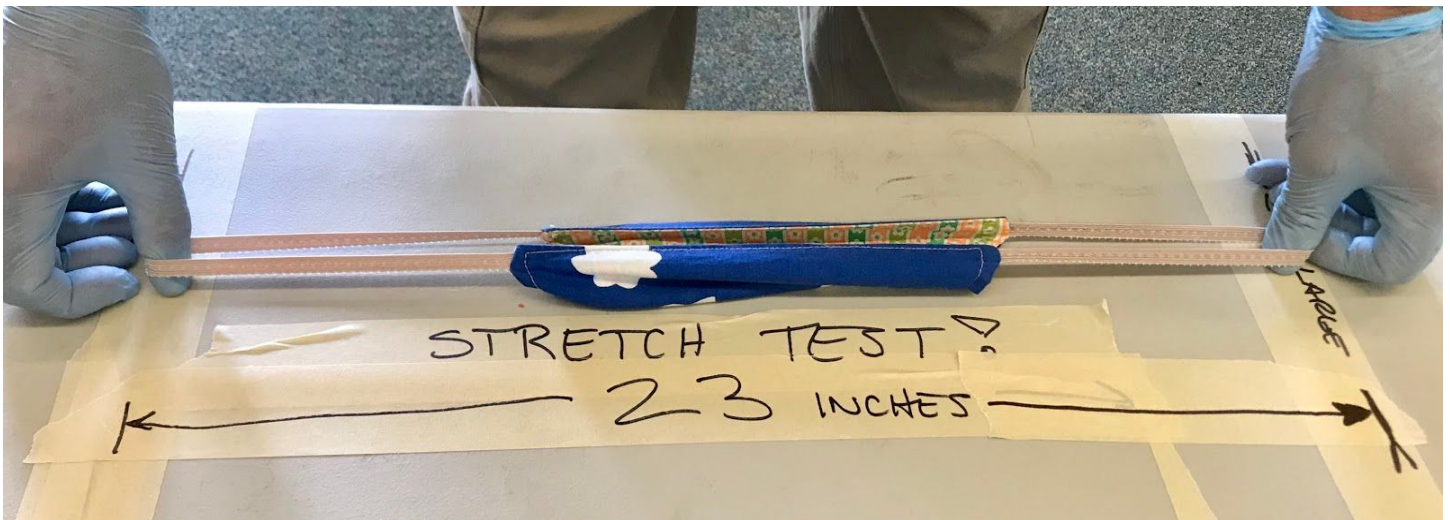


5. Tuck the knots inside the hem to keep it from slipping.

**NEW NOTE!! DO NOT stitch elastic to the mask material! PLEASE DO NOT TRY ON THE MASK, UNLESS YOU ARE KEEPING IT FOR YOURSELF.**

**5. CRITICAL STRETCH TEST --> Please do this test on your first mask to see if the ear loops are long enough.**

**If you can't stretch the mask 23" wide --> you need longer ear loops!**



6. Put your finished masks back in the bag with your name, and go to “Most Mask Maker Pickup Request Form” at <https://forms.gle/fBV5DYfFJS6RU1SWA>

7. REMEMBER: On pickup day, put your bag of finished masks out on the porch (or at the spot indicated in your special instructions. **Make sure your name is on your bag!**

Our rule: “No finished masks to pick up, no additional mask materials delivered.”

MORE MATERIALS: If you are making masks faster than we are bringing materials - email [contactus@sbucketbrigade.org](mailto:contactus@sbucketbrigade.org) and we will set up a bigger delivery package for you

**Thank you for helping us keep critical service workers safe during the pandemic!**